



WAJCDFK



WANADFK

FEATURES-SPECIFICATIONS

SWING-OUT PANEL KITS

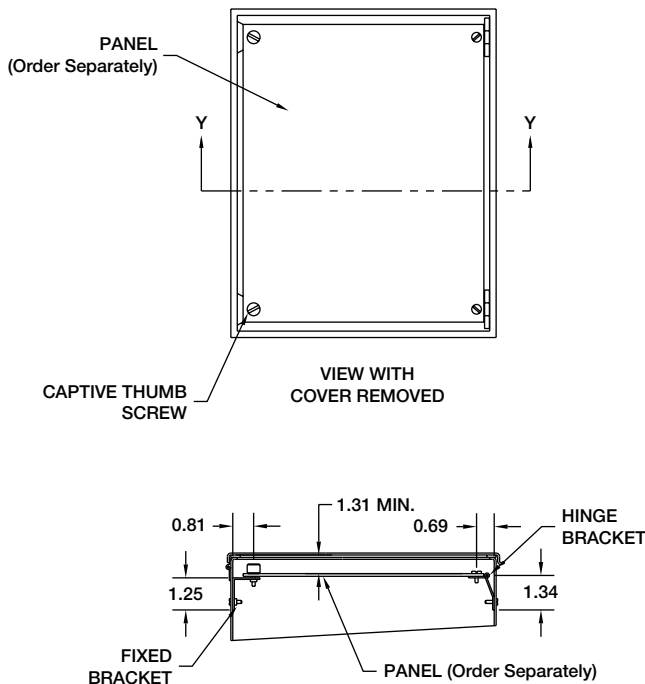
Designed to allow mounting of switches, gauges, pilot lights and other components near the front of the enclosure for easy access or meter reading.

- These kits consist of heavy gauge brackets and hinges which are easily installed by drilling small holes in the sides of the enclosure and bolting the bracket in place
- Sealing washers are also furnished to ensure that the enclosure will meet the original NEMA rating after installation
- These kits are designed for use with standard Wiegmann JIC and NEMA panels

| JIC & NEMA SWING OUT PANEL KITS | |
|---------------------------------|-------------|
| CATALOG NUMBER | DESCRIPTION |
| WAJCDFK | JIC Kit |
| WANADFK | NEMA Kit |

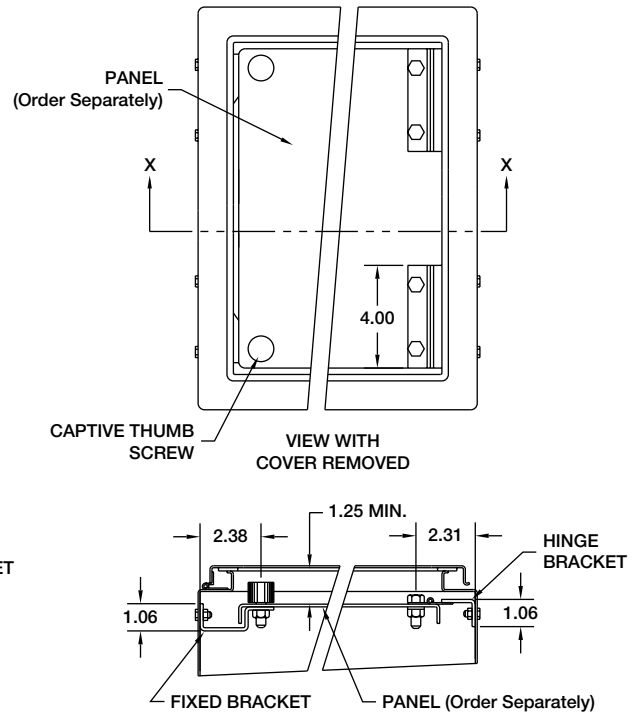
NOTE: Panels must be ordered separately.

JIC Swing-Out Panel Kit



SECTION Y-Y

NEMA Swing-Out Panel Kit



SECTION X-X





WAPPL0606
Print Pocket



WADSTOPK
Door Stop Kit



WACSHELF12
Folding Shelf

FEATURES-SPECIFICATIONS

PRINT POCKET

- Plastic print pockets can be placed anywhere within enclosure via 2-way adhesive tape flanges
- White in color

| PRINT POCKET | |
|----------------|-------------|
| CATALOG NUMBER | DESCRIPTION |
| WAPPL0606 | 6x6 |
| WAPPL0810 | 8x10 |

DOOR STOP KIT

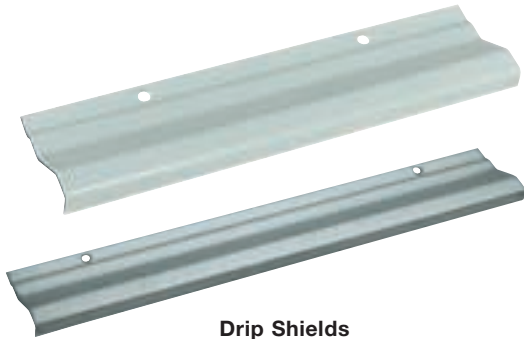
- Designed for use on most standard Wiegmann Type 4 and 12 enclosures to secure the door in the open position
- Door stop can be mounted at the top or bottom of the door opening after drilling two small holes in the body of the enclosure and two small holes in the door. The angle of the door is easily adjusted and the stop arm slides neatly out of the way when the door is closed
- All parts are plated

| DOOR STOP KIT | |
|----------------|---------------|
| CATALOG NUMBER | DESCRIPTION |
| WADSTOPK | Door stop kit |

FOLDING SHELF

- Designed to be used to support and test equipment that is used to install and maintain electrical components in an enclosure
- The shelf can be installed on the inside or outside surface of the Wiegmann enclosures
- When not in use, the shelf folds down and projects only one inch
- All parts are made of heavy gauge steel
- ANSI-61 gray polyester powder paint finish

| FOLDING SHELF | |
|----------------|-----------------------|
| CATALOG NUMBER | DESCRIPTION |
| WACSHELF12 | 12.00x12.00 (305x305) |
| WACSHELF18 | 18.00x18.00 (457x457) |



Drip Shields



Hole Seals

FEATURES-SPECIFICATIONS

DRIP SHIELDS

- Designed to protect door hardware from dripping water and settling dust
- Drip shields attach easily to the enclosure with stainless steel screws, gasket and sealing washers (hardware is furnished)
- Drip shields fit all single door NEMA 12 and NEMA 4 wall mounted enclosures
- Stainless steel door clamps are furnished to replace the standard door clamps
- Steel drip shields have a ANSI 61 gray polyester powder finish over phosphatized surfaces
- Stainless steel drip shields have a grained finish
- 42", 48", 60" and 72" drip shields fit floor mounted double door enclosures. Specify when ordering for double door wall mounted enclosures

| DRIP SHIELDS | | | |
|-----------------------|------------------------|--------------|-----------------------------|
| CATALOG NUMBER | | GAUGE | FITS ENCLOSURE WIDTH |
| STEEL | STAINLESS STEEL | | |
| DK12 | SSDK12 | 14 | 12.00 (305) |
| DK16 | SSDK16 | 14 | 16.00 (406) |
| DK20 | SSDK20 | 14 | 20.00 (508) |
| DK24 | SSDK24 | 14 | 24.00 (610) |
| DK30 | SSDK30 | 14 | 30.00 (762) |
| DK36 | SSDK36 | 14 | 36.00 (914) |
| DK42 | — | 14 | 42.00 (1067) |
| DK48 | — | 14 | 48.00 (1219) |
| DK60 | — | 14 | 60.00 (1524) |
| DK72 | — | 14 | 72.00 (1829) |

HOLE SEALS

Designed to seal extra push-button holes, conduit openings, and knockout openings from dirt, dust, oil and water

Steel:

- Quick wing nut
- Oil resistant gasket
- ANSI 61 gray polyester powder

Stainless Steel:

- Quick wing nut
- Oil resistant gasket
- Grained finish

| HOLE SEALS | | | |
|-----------------------|------------------------|--------------------------------------|----------------------|
| CATALOG NUMBER | | DESCRIPTION | HOLE DIAMETER |
| STEEL | STAINLESS STEEL | | |
| WASPBG | WASPBGSS | Miniature oil tight pushbutton holes | 0.88 (22) |
| WAS050 | WAS050SS | 1/2-inch conduit holes | 0.88 (22) |
| WAS075 | WAS075SS | 3/4-inch conduit holes | 1.13 (29) |
| WASPB | WASPBSS | Standard oil-tight pushbutton holes | 1.20 (30) |
| WAS100 | WAS100SS | 1-inch conduit holes | 1.38 (35) |
| WAS125 | WAS125SS | 1 1/4-inch conduit holes | 1.63 (41) |
| WAS150 | WAS150SS | 1 1/2-inch conduit holes | 2.00 (51) |
| WAS200 | WAS200SS | 2-inch conduit holes | 2.50 (64) |
| WAS250 | — | 2 1/2-inch conduit holes | 3.00 (76) |
| WAS300 | — | 3-inch conduit holes | 3.63 (92) |
| WAS350 | — | 3 1/2-inch conduit holes | 4.00 (102) |
| WAS400 | — | 4-inch conduit holes | 4.63 (118) |



WAPWK0503NF



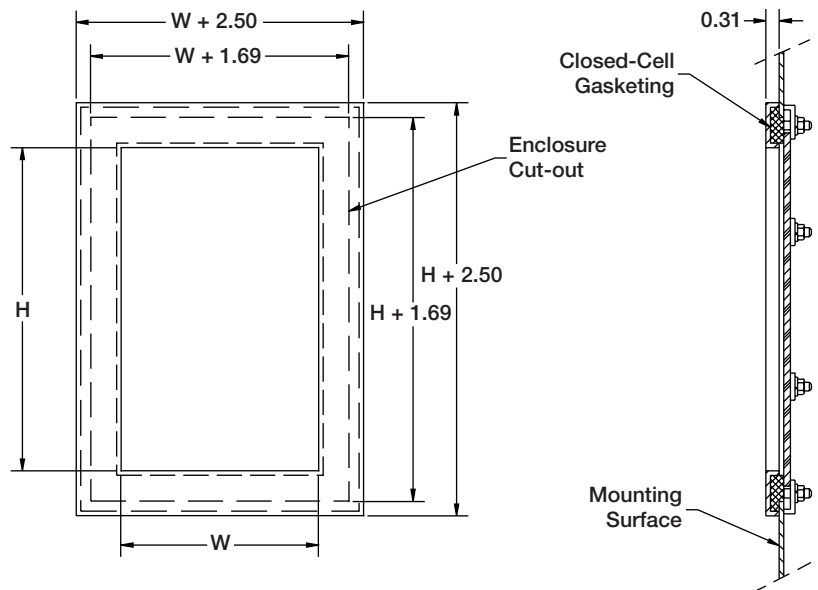
WAPWK0503SS

FEATURES-SPECIFICATIONS

WINDOW KITS

- Steel window kits are designed to be used indoors on NEMA 12 enclosures
- Stainless steel window kits are suitable for NEMA 12 and 13 enclosures in an indoor application. These kits are easily installed by making a cutout in the enclosure and attaching the window and frame in place. All necessary hardware is included
- Kits are fully gasketed to maintain an oil tight seal
- Frames are made from heavy steel with a ANSI 61 gray polyester powder finish over phosphatized surfaces. Type 304 stainless steel with a grained finish

| WINDOW KITS | | | | |
|----------------|-----------------|--------------------------|--------------------------|--------------------------|
| CATALOG NUMBER | | WINDOW H X W | FRAME SIZE | REQUIRED CUT-OUT SIZE |
| STEEL | STAINLESS STEEL | | | |
| WAPWK0503NF | WAPWK0503SS | 5.00x3.00 (127x76) | 7.50x5.50 (191x140) | 6.69x4.69 (170x119) |
| WAPWK0905NF | WAPWK0905SS | 9.00x5.50 (229x140) | 11.50x8.00 (292x203) | 10.69x7.19 (272x183) |
| WAPWK1308NF | WAPWK1308SS | 13.00x8.00 (330x203) | 15.50x10.50 (394x267) | 14.69x9.69 (373x170) |
| WAPWK1705NF | — | 17.00x5.50 (432x140) | 19.50x8.00 (495x203) | 18.69x7.19 (475x183) |
| WAPWK1711NF | WAPWK1711SS | 17.00x11.00 (432x279) | 19.50x13.50 (495x343) | 18.69x12.69 (475x322) |
| WAPWK2315NF | WAPWK2315SS | 23.00x15.00 (584x381) | 25.50x17.50 (648x445) | 24.69x16.69 (627x424) |
| WAPWK2919NF | — | 29.00x19.00 (737x483) | 31.50x21.50 (800x546) | 30.69x20.69 (780x526) |
| WAPWK3523NF | — | 35.00x23.00 (889x584) | 37.50x25.50 (953x648) | 36.69x24.69 (932x627) |





Mounting Feet



WAGSE



WAVE

FEATURES-SPECIFICATIONS

MOUNTING FEET

- Mounting foot kit N412MFK contains four steel external mounting feet
- Mounting foot kit N412MFKSS contains four stainless steel external mounting feet
- Sealing washers are provided with each kit to maintain NEMA 4 or 12 rating after installation
- The N412MFK has a plated finish

| MOUNTING FEET | |
|----------------|-------------------------------------|
| CATALOG NUMBER | DESCRIPTION |
| N412MFK | For N412 steel enclosures |
| N412MFKSS | For N412 stainless steel enclosures |

TOUCH-UP PAINT

- Wiegmann touch-up paint is used to repair existing finishes on enclosures and panels
- Furnished in 12 oz. spray cans

| TOUCH-UP PAINT | |
|----------------|---------------------------|
| CATALOG NUMBER | DESCRIPTION |
| WAGSE | ANSI 61 gray satin enamel |
| WAVE | White enamel |



WAEK115

WAEK115NDH

WADKDF

WGNDKT

FEATURES-SPECIFICATIONS

ELECTRICAL INTERLOCKS

The WAEK115 is designed to be used with standard Wiegmann door latching mechanisms. When turned on, this interlock will prevent the door handle from being turned to open the door. This interlock is designed to fit handles in the following enclosures:

- All two door NEMA 12 enclosures
- Free standing NEMA 12 enclosures
- All consoles
- All single door NEMA 12 enclosures which have 3 pt handle mechanisms
- Two door NEMA 12 enclosures for flange-mounted disconnects
- Modular NEMA 12 enclosures
- Multi-door NEMA 12 enclosures

The WAEK115NDH is designed to be used with standard Wiegmann enclosures that have no handles. This interlock requires drilling several holes in the cover and the body for mounting.

INTERLOCK DEFEATER

- This defeater is key operated and enables personnel to enter an enclosure while the enclosures internal components are energized. Turning the key disengages the circuit to the electrical interlock

| INTERLOCK DEFEATER | |
|--------------------|-------------|
| CATALOG NUMBER | DESCRIPTION |
| WAEKDF | Defeater |

GROUNDING KIT

- Field Grounding Kit
- Includes necessary parts to properly ground enclosure

| GROUNDING KIT | |
|----------------|---------------|
| CATALOG NUMBER | DESCRIPTION |
| WGNDKT | Grounding Kit |

| ELECTRICAL INTERLOCKS | | |
|-----------------------|----------------------|----------|
| CATALOG NUMBER | DESCRIPTION | VOLTS/HZ |
| WAEK115 | Electrical interlock | 120/60 |
| WAEK115NDH | Electrical interlock | 120/60 |



WA0808JTMA

FEATURES-SPECIFICATIONS

TERMINAL KIT ASSEMBLIES, BLOCKS AND STRIPS FOR ALL SMALL JIC NEMA 12 AND JIC-NEMA 4 BOXES

- Provides a strong, versatile means for mounting terminal blocks in Wiegmann JIC boxes and other enclosures
- Easily installed bracket assembly accommodates the desired number of terminal straps or block strips
- Bracket assembly consists of two white enamel brackets which mount on weldnuts
- Terminal block strip (ordered separately) is Buchanan Type MD for wire sizes No.22 through 10, mounted on a single terminal strap. Block strips attach where desired by spring locking

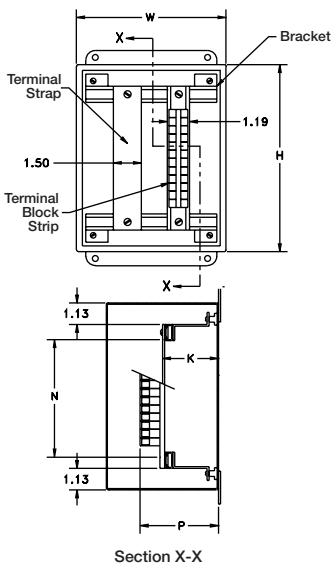
nuts. Order brackets, terminal straps and block strips by part number shown below

How To Order

- Each enclosure requires one bracket assembly plus the desired number of terminal straps. The bracket assembly and the terminal straps must be ordered separately
- To select the correct terminal strap, determine whether the terminal straps

will be mounted parallel to the height or width dimension. Specify the number of straps desired, checking usable space for enclosure ordered

- To select the correct bracket assembly, determine whether the bracket will be mounted parallel to height or width dimension of enclosure. Refer to chart and specify correct bracket by catalog number. One bracket is needed for each row of collar studs parallel to the brackets



Terminal Kit Assembly for Small JIC Enclosures (Series B & BN4)

| BRACKET ASSEMBLIES FOR SMALL JIC NEMA 12 AND JIC NEMA 4 ENCLOSURES | | | | |
|--|--------------------------------|-----------|------------|-------------|
| CATALOG NUMBER | DIMENSION PARALLEL TO BRACKETS | K | P | N |
| WA0806JTMA | 6.00 (152) | 1.56 (40) | 2.75 (70) | 2.63 (67) |
| WA0808JTMA | 8.00 (203) | 1.56 (40) | 2.75 (70) | 4.63 (118) |
| WA1010JTMA | 10.00 (254) | 2.81 (71) | 4.00 (102) | 6.53 (166) |
| WA1212JTMA | 12.00 (305) | 2.81 (71) | 4.00 (102) | 8.53 (217) |
| WA1614JTMA | 14.00 (356) | 2.81 (71) | 4.00 (102) | 10.53 (267) |

| TERMINAL BLOCK STRIP & STRAP | | | |
|------------------------------|-----------------------------|-----------------------------|----------------|
| CATALOG NUMBER | DIMENSION PARALLEL TO STRIP | TERMINAL BLOCKS PER STRIP # | USABLE SPACE N |
| WA08JB | 8.00 (203) | 8 | 4.63 (118) |
| WA10JB | 10.00 (254) | 12 | 6.53 (166) |
| WA12JB | 12.00 (305) | 16 | 8.53 (217) |
| WA14JB | 14.00 (356) | 20 | 10.53 (267) |
| WA16JB | 16.00 (406) | 24 | 12.53 (318) |

| TERMINAL STRAPS | | |
|-----------------|---------------------------------------|----------------|
| CATALOG NUMBER | ENCLOSURE DIMENSION PARALLEL TO STRAP | USABLE SPACE N |
| WA0806JS | 8.00 (203) | 4.63 (118) |
| WA0808JS | 8.00 (203) | 4.63 (118) |
| WA1008JS | 10.00 (254) | 6.63 (168) |
| WA1010JS | 10.00 (254) | 6.63 (168) |
| WA1210JS | 12.00 (305) | 8.63 (219) |
| WA1212JS | 12.00 (305) | 8.63 (219) |
| WA1412JS | 14.00 (356) | 10.63 (270) |
| WA1614JS | 16.00 (406) | 12.63 (321) |

NOTE: Terminal blocks are not included. Be sure to order one bracket assembly plus the desired number of terminal straps for each enclosure.





WA16NTMA2

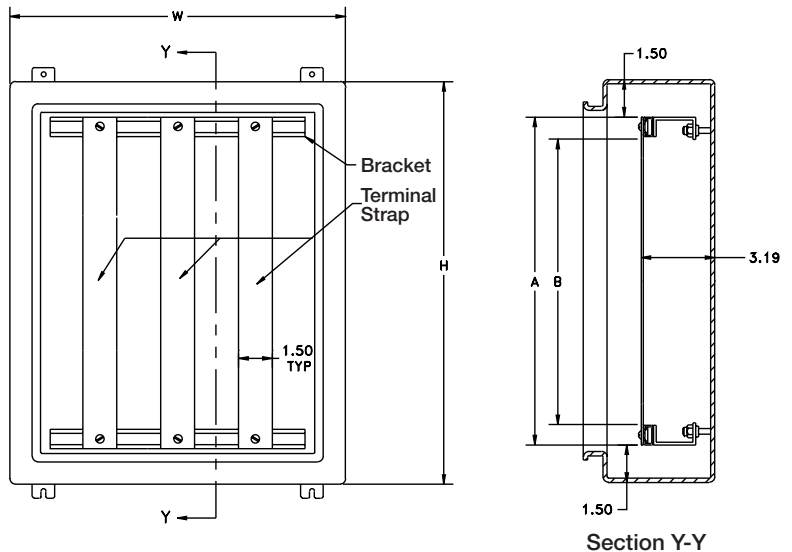
FEATURES-SPECIFICATIONS

TERMINAL KIT ASSEMBLIES AND STRAPS FOR NEMA TYPE 4, 12 AND 13 ENCLOSURES

- Provide strong, versatile and easily-installed terminal block mounting supports
- For use on extra large NEMA Type 1, 4 or 12 and large JIC enclosures
- Each bracket assembly consists of two or three brackets which mount on enclosure collar studs
- Mounting straps can be positioned anywhere along the brackets and are held in place by spring locking nuts, making wiring easy and providing for the addition of more straps at a later date
- Standard finish in white polyester powder
- Brackets may be installed parallel to height or width dimension. Each enclosure requires one bracket assembly and the desired number of terminal straps

| BRACKET ASSEMBLIES FOR NEMA 4, 12, AND 13 ENCLOSURES – BRACKET ASSEMBLY | | | |
|---|--------------------|----------------|---------------------|
| CATALOG NUMBER | NUMBER OF BRACKETS | BRACKET LENGTH | FOR ENCLOSURE WIDTH |
| WA12NTMA2 | 2 | 9.00 (229) | 12.00 (305) |
| WA16NTMA2 | 2 | 13.00 (330) | 16.00 (406) |
| WA20NTMA2 | 2 | 17.00 (432) | 20.00 (508) |
| WA24NTMA2 | 2 | 21.00 (533) | 24.00 (610) |
| WA24NTMA3 | 3 | 21.00 (533) | 24.00 (610) |

| TERMINAL STRAPS | | | | |
|-----------------|------------------|--------------|--------------|---------------------|
| CATALOG NUMBER | NUMBER OF STRAPS | A | B | FOR ENCLOSURE WIDTH |
| WA12T | 1 | 9.00 (229) | 7.75 (197) | 12.00 (305) |
| WA16T | 1 | 13.00 (330) | 11.75 (298) | 16.00 (406) |
| WA20T | 1 | 17.00 (432) | 15.38 (391) | 20.00 (508) |
| WA24T | 1 | 21.00 (533) | 19.75 (502) | 24.00 (610) |
| WA30T | 1 | 27.00 (686) | 25.75 (654) | 30.00 (762) |
| WA36T | 1 | 33.00 (838) | 31.75 (806) | 36.00 (914) |
| WA42T | 1 | 39.00 (991) | 37.75 (959) | 42.00 (1067) |
| WA48T | 1 | 45.00 (1143) | 43.75 (1111) | 48.00 (1219) |





FK0608



SSFK1216

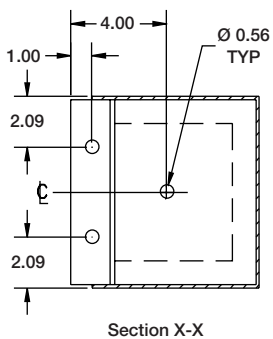
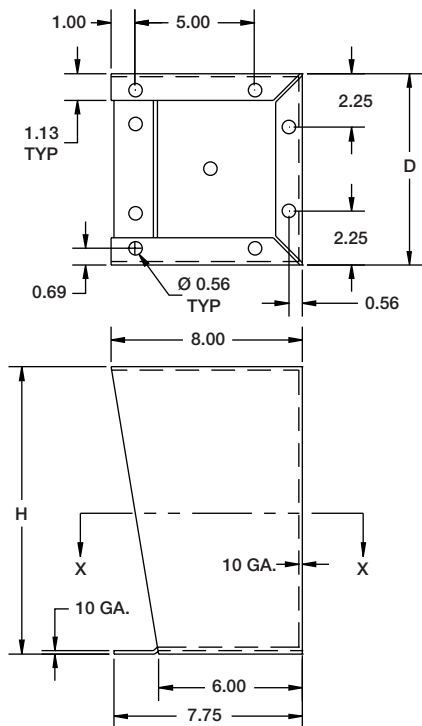
FEATURES-SPECIFICATIONS

FLOOR STAND KIT

- Kits are easily installed on most wall-mounted Wiegmann enclosures. Kits can also be used to elevate Wiegmann freestanding enclosures. To install, drill holes in bottom of existing enclosure and bolt in place. Each kit includes two stands and mounting bolts and nuts
- Steel floor stand has a ANSI 61 gray polyester powder finish over phosphatized surfaces
- Stainless steel floor stand is type 304 stainless with a grained finish

| FLOOR STAND KIT | | | |
|-----------------|-----------------|------------------------|--------------------|
| CATALOG NUMBER | | FLOOR STAND HEIGHT "H" | ENCLOSURE SIZE "D" |
| STEEL | STAINLESS STEEL | | |
| FK0608 | SSFK0608 ◀ | 6.00 (152) | 8.00 (203) |
| FK0610 | SSFK0610 | 6.00 (152) | 10.00 (254) |
| FK0612 | SSFK0612 ◀ | 6.00 (152) | 12.00 (305) |
| FK0618 | SSFK0618 ◀ | 6.00 (152) | 18.00 (457) |
| FK0624 ◀ | SSFK0624 ◀ | 6.00 (152) | 24.00 (610) |
| FK1208 | SSFK1208 | 12.00 (305) | 8.00 (203) |
| FK1210 | SSFK1210 | 12.00 (305) | 10.00 (254) |
| FK1212 | SSFK1212 | 12.00 (305) | 12.00 (305) |
| FK1216 | SSFK1216 | 12.00 (305) | 16.00 (406) |
| FK1218 | SSFK1218 ◀ | 12.00 (305) | 18.00 (457) |
| FK1220 | SSFK1220 ◀ | 12.00 (305) | 20.00 (508) |
| FK1224 ◀ | SSFK1224 ◀ | 12.00 (305) | 24.00 (610) |
| FK1808 | — | 18.00 (457) | 8.00 (203) |
| FK1810 | — | 18.00 (457) | 10.00 (254) |
| FK1812 | — | 18.00 (457) | 12.00 (305) |
| FK1816 | — | 18.00 (457) | 16.00 (406) |
| FK2408 | — | 24.00 (610) | 8.00 (203) |
| FK2410 | SSFK2410 | 24.00 (610) | 10.00 (254) |
| FK2412 | SSFK2412 | 24.00 (610) | 12.00 (305) |

◀ NEW PRODUCT IN 2003





Casters



Panel Supports



Stabilizers

FEATURES-SPECIFICATIONS

CASTERS

- Casters can be used on any enclosure to provide mobility
- Caster kit includes two swivel casters and two stationary casters along with all necessary mounting hardware

| CASTERS | |
|----------------|--|
| CATALOG NUMBER | DESCRIPTION |
| WC10C | Set of 4 casters, 2 mounting plates and hardware |
| WC12C | Set of 4 casters, 2 mounting plates and hardware |

PANEL SUPPORTS

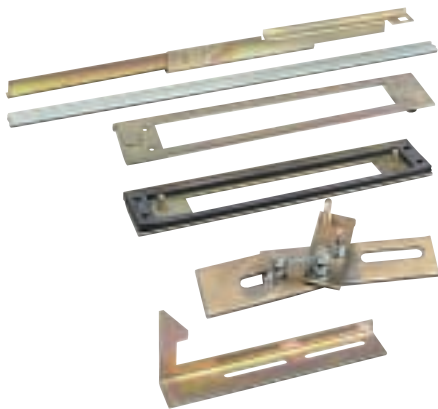
- Provide additional support for panels on which heavy instruments are mounted
- The panel supports are adjustable so the weight of the panel is partially supported by the bottom of the enclosure
- White polyester powder finish

| PANEL SUPPORTS | |
|----------------|---|
| CATALOG NUMBER | DESCRIPTION |
| WAPS03 | Two panel supports for 1-door and 2-door enclosures where distance from bottom of panel to bottom of enclosure is less than 2-1/4 inches |
| WAPS09 | Two panel supports for free-standing or multi-door enclosures where distance from bottom of panel to bottom of enclosure is between 2-7/8 inches and 8-1/2 inches |

STABILIZERS

- Designed to prevent injury to workers by stabilizing floor mounted enclosures which are not bolted down against tipping. Stabilizers slip under the floor stands and are secured by tightening bolts in washers
- ANSI 61 gray polyester finish

| STABILIZERS | |
|----------------|-----------------|
| CATALOG NUMBER | DESCRIPTION |
| WAENST | Two stabilizers |



WA21ABA



WA22BAP



WARAK24

FEATURES-SPECIFICATIONS

OPERATOR ADAPTER PLATES

- Used on all Wiegmann disconnect enclosures with universal flange cutouts
- An operator adapter plate is required to install a disconnect in all Wiegmann enclosures with a universal cutout on pages F31, F35, F36, F37, F38, F39, F43, F44
- Operator adapters include an adapter plate and additional parts used to interlock the master door with the disconnect operating mechanism. Panel drilling and installation instructions are furnished with each adapter
- Each brand and type of disconnect requires a different operator adapter. It is important to select the proper operator adapter and enclosure for the disconnect that you have selected

| OPERATOR ADAPTER PLATES | |
|-------------------------|---|
| CATALOG NUMBER | TYPE OF OPERATOR ADAPTER |
| WA21ABA | Allen-Bradley 1494F and 1494D |
| WA21ABVA | Allen-Bradley 1494V |
| WA21CHVA | Cutler-Hammer C361, C371 and C371 Flex Shaft™ |
| WA21CHVA | ABB Controls |
| WA21GETDA | General Electric STDA |
| WA21ITE | I-T-E Max-Flex™ |
| WA21SDA | Square D Class 9422, (variable depth and cable mechanism) |
| WA21WHA | Cutler Hammer/Westinghouse SM |

BLANK ADAPTER PLATES

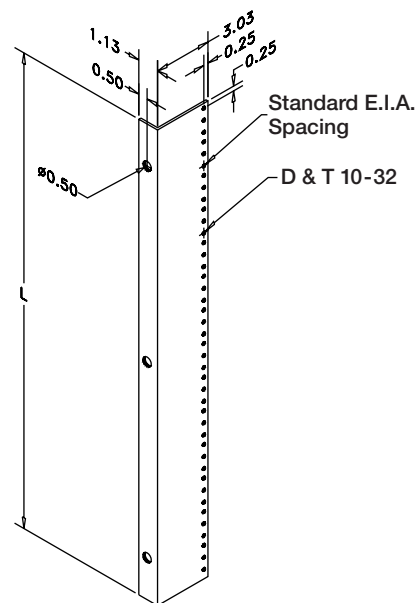
- Used to cover flange cutouts in disconnect enclosures when disconnects are not installed. This greatly increases the versatility of the disconnect enclosures enabling them to also be used as regular Type 12 enclosures
- Wiegmann blank adapter plates are made from heavy gauge steel, with oil-resistant gasket to maintain the dust-tight and oil-tight qualities of the enclosure
- All blank adapter plates are painted ANSI 61 gray polyester powder
- All necessary mounting hardware and instructions are included

| BLANK ADAPTER PLATES | |
|----------------------|---|
| CATALOG NUMBER | TYPE OF OPERATOR ADAPTER |
| WA21BAP | Blank adapter for universal cutouts on pages F31, F35, F36, F37, F38, F39, F43, F44 |
| WA22BAP | Blank adapter for enclosures on page F17 |
| WA3456BAP | Blank adapter for single door wall-mount enclosures on pages F3, F7, F21 |

RELAY RACK ANGLE KIT (FOR WALL MOUNTS)

- For NEMA 12, NEMA 4 and NEMA 412 wall mount enclosures. Designed for mounting 19 inch rack mounted equipment in 24 inch wide enclosures. Small holes are pre-tapped at 10-32
- To install, drill holes in side of enclosure and bolt angles in place
- Sealing washers are also provided to maintain original NEMA rating after installation
- Finish is white

| RELAY RACK ANGLE KIT | | |
|----------------------|------------------|-------------|
| CATALOG NUMBER | ANGLE LENGTH "L" | DESCRIPTION |
| WARAK24 | 23.63 (600) | Two Angles |
| WARAK30 | 29.63 (753) | Two Angles |
| WARAK36 | 35.63 (905) | Two Angles |





FEATURES-SPECIFICATIONS

NEMA 1 TYPE 1/4-LATCH

- Designed for field installation standard NEMA 1 type enclosures
- Requires only a quarter turn to open and close
- Available in both the 1/4-turn latch and 1/4-turn key lock

| NEMA 1 TYPE 1/4-LATCH | |
|-----------------------|--------------------------|
| CATALOG NUMBER | DESCRIPTION |
| N1C14T | NEMA 1 1/4-turn latch |
| N1C14TKL | NEMA 1 1/4-turn key lock |

NEMA 412 TAMPER RESISTANT LATCH KITS AND KEYS

- Designed for NEMA 412 Type enclosures
- Latch kits are tamper resistant
- Available in both 1-point and 3-point 1/4-turn kits
- All have black matted finish or chrome (see charts)

| NEMA 412 TAMPER PROOF RESISTANT LATCH KITS | | |
|--|-------------|---|
| CATALOG NUMBER | | DESCRIPTION |
| 1-POINT | 3-POINT | |
| N41214TTRI | N41214TTRI3 | Triangular 1/4-turn keyed latch |
| N41214SQ | N41214SQ3 | Square 1/4-turn keyed latch |
| N41214TVP | N41214TVP3 | Double bit vibration proof 1/4-turn keyed latch |

| NEMA 412 TAMPER PROOF KEYS | |
|----------------------------|--------------------------------|
| CATALOG NUMBER | DESCRIPTION |
| N41214TTRIK | Triangular key |
| N41214SQK | Square key |
| N41214TVPK | Double bit vibration proof key |

STAINLESS STEEL LOCK KIT FOR NEMA 412

- Designed for standard single door Type 412 enclosures
- Requires only a quarter turn to open and close
- Latch is water and dust tight
- Lock is stainless steel
- Can be used with N412 stainless steel enclosures

| STAINLESS STEEL LOCK KIT FOR NEMA 412 | | |
|---------------------------------------|------------|--------------------------|
| CATALOG NUMBER | | DESCRIPTION |
| 1-POINT | 3-POINT | |
| N41214TSS | N41214TSS3 | Stainless steel 1/4-turn |



FEATURES-SPECIFICATIONS

NEMA 412 LOCK KITS

- Designed for NEMA 412 Type enclosures
- Available in both 1-point and 3-point 1/4-turn latches
- All have black matted finish or chrome finish (see charts)

| NEMA 412 LOCK KITS | | |
|--------------------|-------------|------------------------------------|
| CATALOG NUMBER | | DESCRIPTION |
| 1-POINT | 3-POINT | |
| N41214T | N41214T3 | Slotted chrome finish |
| N41214TB | N41214TB3 | Slotted black matted finish |
| N41214TW | N41214TW3 | Wing handle 1/4-turn latch |
| N41214TWPL | N41214TWPL3 | Padlocking 1/4-turn |
| N41214TTH | N41214TTH3 | 1/4-turn black matted tee handle |
| N41214TBKL* | — | 1/4-turn black key lock/dust cover |

*NEMA 12 and 13 rating with dust cover only.

LOCK KIT FOR NEMA 4 & 12 ENCLOSURES

- Designed for field installation in standard single door Type 3R, 4 and 12 enclosures
- Latch is water tight and dust tight
- It is necessary to drill or punch one hole in the cover to receive the latch
- Complete installation instructions are included

| LOCK KIT FOR NEMA 4 & 12 ENCLOSURES | |
|-------------------------------------|------------------|
| CATALOG NUMBER | DESCRIPTION |
| WACLSN12 | 1-point key lock |

CLIP NUT PACKAGE

- Plated #10-32 clip nuts will fit all rack mounting angles with 7/32 diameter holes

| CLIP NUT PACKAGE | |
|------------------|--------------------------|
| CATALOG NUMBER | DESCRIPTION |
| W1032N | Clip nut (package of 20) |



FEATURES-SPECIFICATIONS

LOCK KITS FOR JUNCTION BOXES

- Designed for field installation in standard junction boxes. Latch is water tight and dust tight
- It is necessary to drill or punch one hole in the cover to receive the cylinder lock
- Complete installation instructions included
- Designed for field installation in standard single door JIC, BCH, BN4CH enclosures

| LOCK KITS FOR JUNCTION BOXES | |
|------------------------------|---------------------------|
| CATALOG NUMBER | DESCRIPTION |
| WACLJIC | 1-Point cylinder key lock |
| WAPLKJIC | Padlock lock kit |

LATCH KITS FOR SINGLE DOOR TYPE 12 ENCLOSURES

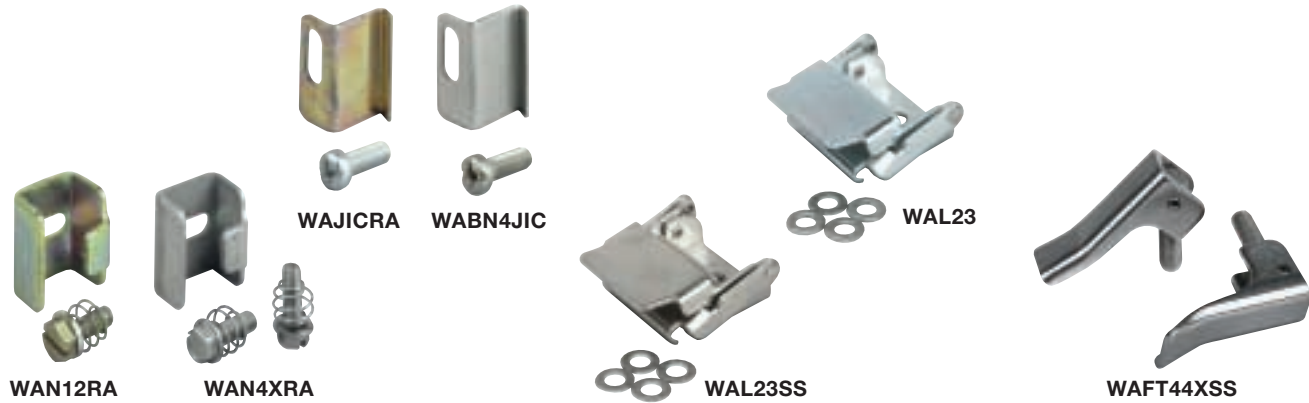
- Designed for field installation in standard single door Type 3R, 4 and 12 enclosures
- Latch is water tight and dust tight
- It is necessary to drill or punch one hole in the cover to receive the latch
- Complete installation instructions are included

| LATCH KITS FOR SINGLE DOOR TYPE 12 | | |
|------------------------------------|----------------|---|
| CATALOG NUMBER | | DESCRIPTION |
| PADLOCK HANDLE | KEYLOCK HANDLE | |
| WAL1A | WAL2A | 1-Point latch kit |
| WAL1B | WAL2B | 3-Point latch kit where H is 16", 20", 24" or 30" |
| WAL1C | WAL2C | 3-Point latch kit where H is 36", 42", or 48" |
| WAL1D | WAL2D | 3-Point latch kit where H is 60" or 72" |

NEMA 1 TYPE T HANDLE LATCH & CYLINDER LOCK KITS

- The "T" handles are intended to be used on various NEMA 1 cabinets. Not suitable for water tight applications
- The 3 point latch comes with handle, latch, latch rods and all hardware. Handles are chrome plated
- Cylinder locks are designed for field installation in the small NIC and large NIC enclosures. Latch is water and dust tight. It is necessary to drill a hole in door to receive latch
- Latch has chrome plated finish

| HANDLE LATCH & CYLINDER LOCK KITS | |
|-----------------------------------|---|
| CATALOG NUMBER | DESCRIPTION |
| WAL8 | 1-Point "T" locking handle |
| WA8 | 1-Point "T" non locking handle |
| WAL12B | 1-Point key lock for small N1C enclosures |
| WAL12AR | 3-Point key lock for large N1C enclosures |



FEATURES-SPECIFICATIONS

REPLACEMENT CLAMP ASSEMBLIES

- Designed for use as replacement clamps on JIC, NEMA 4, NEMA 12 and N4X enclosures. All necessary parts included

| REPLACEMENT CLAMP ASSEMBLIES | |
|------------------------------|--|
| CATALOG NUMBER | DESCRIPTION |
| WAJICRA | N12 JIC Assembly includes: clamp & screw |
| WABN4JIC | N4 JIC Assembly includes: clamp & screw (304SS) |
| WABN4JICA | N4 JIC Assembly includes: clamp & screw (316SS) |
| WAN12RA | N12 Assembly includes: clamp, screw, spring, washers(2) |
| WAN4XRA | N4X Assembly includes: clamp, screw, spring, washers (2) (304SS) |
| WAN4XRAA | N4X Assembly includes: clamp, screw, spring, washers (2) (316SS) |

FAST OPERATING JUNCTION BOX

- Provides quick access to enclosure or wireway interiors. Install on standard clamp bracket used on Wiegmann junction boxes, type 12 troughs, and lay-in wireway. Clamps are available in plated steel, or stainless steel

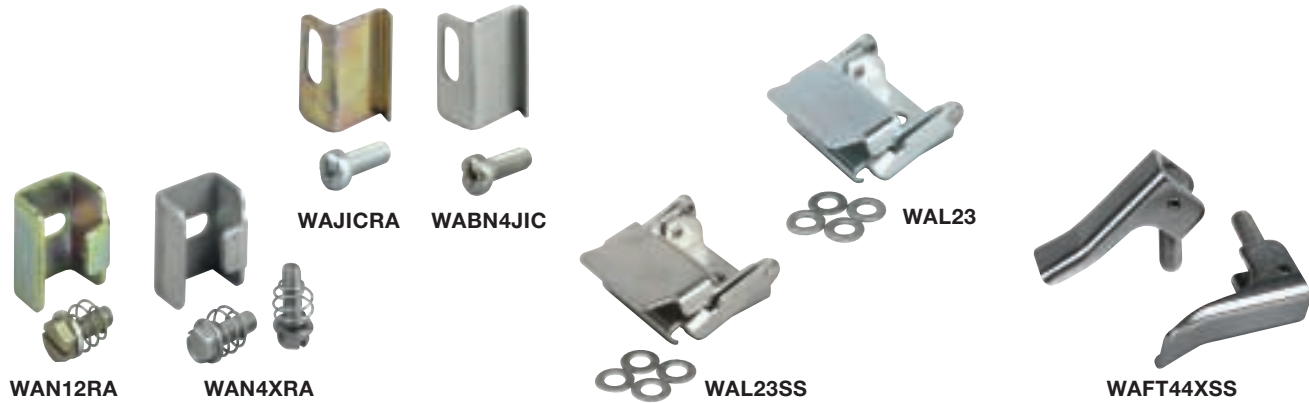
| FAST OPERATING JUNCTION BOX | |
|-----------------------------|---------------------|
| CATALOG NUMBER | DESCRIPTION |
| WAL23 | Plated steel clamp |
| WAL23SS | 304 stainless steel |
| WAL23SSA | 316 stainless steel |

TOGGLE LATCH FOR TYPE 4X FREE STANDING ENCLOSURES

- Provides quick access to NEMA Type 4 and 4X free standing enclosures. The stainless steel toggle latches replace the stainless steel bolts used with conventional door clamps
- Operation of the toggle releases the door clamp so the door can be opened easily without tools
- Pack: 2 toggle latches

| TOGGLE LATCH FOR TYPE 4X FREE STANDING | |
|--|---------------------|
| CATALOG NUMBER | DESCRIPTION |
| WAFT44XSS | 304 stainless steel |
| WAFT44XSSA | 316 stainless steel |





FEATURES-SPECIFICATIONS

REPLACEMENT CLAMP ASSEMBLIES

- Designed for use as replacement clamps on JIC, NEMA 4, NEMA 12 and N4X enclosures. All necessary parts included

| REPLACEMENT CLAMP ASSEMBLIES | |
|------------------------------|--|
| CATALOG NUMBER | DESCRIPTION |
| WAJICRA | N12 JIC Assembly includes: clamp & screw |
| WABN4JIC | N4 JIC Assembly includes: clamp & screw (304SS) |
| WABN4JICA | N4 JIC Assembly includes: clamp & screw (316SS) |
| WAN12RA | N12 Assembly includes: clamp, screw, spring, washers(2) |
| WAN4XRA | N4X Assembly includes: clamp, screw, spring, washers (2) (304SS) |
| WAN4XRRA | N4X Assembly includes: clamp, screw, spring, washers (2) (316SS) |

FAST OPERATING JUNCTION BOX

- Provides quick access to enclosure or wireway interiors. Install on standard clamp bracket used on Wiegmann junction boxes, type 12 troughs, and lay-in wireway. Clamps are available in plated steel, or stainless steel

| FAST OPERATING JUNCTION BOX | |
|-----------------------------|---------------------|
| CATALOG NUMBER | DESCRIPTION |
| WAL23 | Plated steel clamp |
| WAL23SS | 304 stainless steel |
| WAL23SSA | 316 stainless steel |

TOGGLE LATCH FOR TYPE 4X FREE STANDING ENCLOSURES

- Provides quick access to NEMA Type 4 and 4X free standing enclosures. The stainless steel toggle latches replace the stainless steel bolts used with conventional door clamps
- Operation of the toggle releases the door clamp so the door can be opened easily without tools
- Pack: 2 toggle latches

| TOGGLE LATCH FOR TYPE 4X FREE STANDING | |
|--|---------------------|
| CATALOG NUMBER | DESCRIPTION |
| WAFT44XSS | 304 stainless steel |
| WAFT44XSSA | 316 stainless steel |





LHPC02
Light Holder



WDL026SWLT120



WKL025SWLT120

FEATURES-SPECIFICATIONS

Applications

Used where illumination is needed inside an enclosure. WDL series is available with motion sensor or on/off switch. With optional holder kit, WDL series lights can be “hand held” for spot illumination.

Features

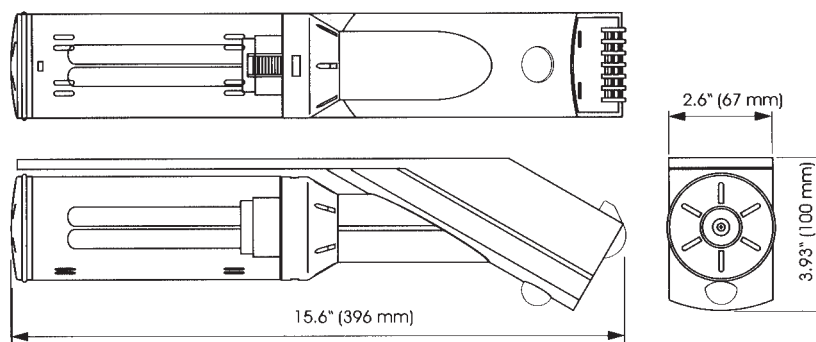
- Motion sensor version detects the motion of the enclosure door being opened and automatically turns light on. The sensor is factory pre-set to turn light off 5 minutes after motion ceases. The motion sensor does not detect movement through glass or fiberglass, thus allowing installation in enclosures with windows or glass doors
- Light color/temperature is bright white
- Holder and lamp housing manufactured from UL94-VO, impact resistant plastic
- Connection: 4 pole terminal, max. AWG 14 for power supply and parallel wiring of 2 lights
- Includes mounting screws

| WDL & WKL SERIES LIGHTING | | | | | | |
|---------------------------|-------------------|-------------------|--------------------------------|----------------------|--------------------|----------------------------|
| CATALOG NUMBER | OPERATING VOLTAGE | OUTLET RECEPTACLE | ACTIVATION METHOD | LIGHT INTENSITY (LM) | LAMP CURRENT (HRS) | DIMENSIONS H X W X D |
| WDL026SWLT120 | 110-120 | No | Switch on housing | 1000 | 10,000 | 3.93x15.6x2.6 (100x396x67) |
| WDL026MSLT120 | 110-120 | No | Passive infrared motion sensor | 1000 | 10,000 | 3.93x15.6x2.6 (100x396x67) |
| WKL025SWLT120 | 110-120 | Yes | Switch on housing | 900 | 5,000 | 2.55x14x2.55 (65x355x65) |

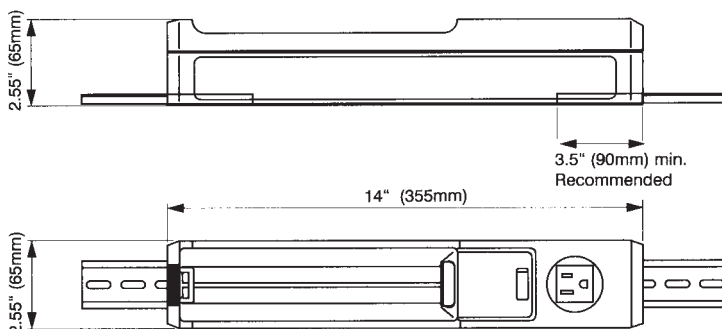
| WDL SERIES MOUNTING ACCESSORIES | |
|---------------------------------|-------------------------------|
| CATALOG NUMBER | DESCRIPTION |
| WDL026MAG | (2) Magnet mounting plates |
| WDL026SEAD | Self adhesive mounting plates |

| WDL SERIES ACCESSORY | |
|----------------------|--|
| CATALOG NUMBER | DESCRIPTION |
| LHPC02 | Light holder (self adhesive back to mount) with 10' power cord |

WDL Series



WKL Series



The light can also be screw mounted by sliding it on two 35mm DIN rails.





FEATURES-SPECIFICATIONS

Applications

Hubbell Wiegmann corrosion inhibiting (VCI) Vapor Capsules contain proprietary chemical systems which emit an invisible, odorless, nontoxic vapor which is diffused throughout an enclosure. By placing these self-contained capsules inside an enclosure, the vapors permeate to every available surface. The condensed VCI molecules passivate iron, steel, copper, brass, and aluminum.

Features

- “Peel and stick” adhesive allows application anywhere within enclosure interior
- All capsules include blank date installed field to monitor life span
- Estimated life span for all capsules is one year
- Recommended shelf life under normal conditions is one year. Hubbell Wiegmann corrosion inhibitor products are not returnable. Corrosion inhibitors should be stored at temperatures not exceeding 120°F (45°C)

Positioning of Capsule

It is important to note that the volume protected against corrosion is decidedly different with the placement of vapor capsule. For optimal protection, capsule should be placed as close to center of enclosure as possible. Side mounting (such as to door of enclosure) is often the most practical and still offers, in most cases, excellent coverage.

| WVC VAPOR CAPSULES | | | |
|--------------------|---|-------------------|-----------------------------|
| CATALOG NUMBER | ENCLOSURE VOLUME PROTECTION (IN CUBIC FEET) | PACKAGE QUANTITY* | DIMENSIONS H X W X D |
| WVC1-1 | 4.2 | 50 | 0.75x2.13x1.00 (19x54x25) |
| WVC2-1 | 33.9 | 25 | 0.88x2.13x1.25 (22x54x32) |
| WVC6-1 | 905 | 4 | 2.00x8.00x4.00 (51x203x102) |

*Sold in package quantity only



FEATURES-SPECIFICATIONS

Applications

Hubbell Wiegmann industrial desiccant packets absorb airborne moisture within electrical and electronic enclosures therefore eliminating the possibility of internal component and enclosure corrosion.

Features

- Individual packets used in enclosures ranging from 1 cubic feet or less up to 20 cubic feet in volume
- Can use combination of different packet sizes to protect enclosures over 20 cubic feet in volume
- Desiccant packets are non-toxic and safe for human contact
- Each packet capable of absorbing over 500 x's its own weight in water
- Outperforms traditional silica gels, calcium sulfates, and activated clay products
- To extend shelf life, each packet is individually wrapped in foil
- Recommended shelf life under normal conditions is one year. Hubbell Wiegmann corrosion inhibitor products are not returnable. Corrosion inhibitors should be store at temperatures not exceeding 120°F (45°C)

NOTE: All conduit openings should be sealed with a high quality putty, duct seal, or encapsulant in order for desiccant packets to be 100% effective.

| WVC VAPOR CAPSULES | | | |
|---------------------------|--|--------------------------|-----------------------------|
| CATALOG NUMBER | ENCLOSURE VOLUME PROTECTION (IN CUBIC FEET) | PACKAGE QUANTITY* | DIMENSIONS H X W X D |
| WWG11-1 | 1 and less | 25 | 1.00x1.00x.13 (25x25x3) |
| WWG12-1 | 1 to 2 | 25 | 1.00x2.00x.13 (25x51x3) |
| WWG13-1 | 2 to 3 | 25 | 1.00x3.00x.13 (25x76x3) |
| WWG22-1 | 2 to 3 | 25 | 2.00x2.00x.13 (51x51x3) |
| WWG25-2 | 3 to 4 | 10 | 2.00x5.00x.13 (51x127x3) |
| WWG33-1 | 4 to 5 | 10 | 3.00x3.00x.13 (76x76x3) |
| WWG37-3 | 5 to 10 | 10 | 3.00x7.00x.13 (76x178x3) |
| WWG77-6 | 10 to 20 | 10 | 7.00x7.00x.13 (178x178x3) |



WA21ABA



WA22BAP

FEATURES-SPECIFICATIONS

OPERATOR ADAPTER PLATES

- Used on all Wiegmann disconnect enclosures with universal flange cutouts
- An operator adapter plate is required to install a disconnect in all Wiegmann enclosures with a universal cutout on pages F31, F35, F36, F37, F38, F39, F43 and F44.
- Operator adapters include an adapter plate and additional parts used to interlock the master door with the disconnect operating mechanism. Panel drilling and installation instructions are furnished with each adapter
- Each brand and type of disconnect requires a different operator adapter. It is important to select the proper operator adapter and enclosure for the disconnect that you have selected

| OPERATOR ADAPTER PLATES | |
|-------------------------|---|
| CATALOG NUMBER | TYPE OF OPERATOR ADAPTER |
| WA21ABA | Allen-Bradley 1494F and 1494D |
| WA21ABVA | Allen-Bradley 1494V |
| WA21CHVA | Cutler-Hammer C361, C371 and C371 Flex Shaft™ |
| WA21CHVA | ABB Controls |
| WA21GETDA | General Electric STDA |
| WA21ITE | I-T-E Max-Flex™ |
| WA21SDA | Square D Class 9422, (variable depth and cable mechanism) |
| WA21WHA | Cutler Hammer/Westinghouse SM |

BLANK ADAPTER PLATES

- Used to cover flange cutouts in disconnect enclosures when disconnects are not installed. This greatly increases the versatility of the disconnect enclosures enabling them to also be used as regular Type 12 enclosures
- Wiegmann blank adapter plates are made from heavy gauge steel, with oil-resistant gasket to maintain the dust-tight and oil-tight qualities of the enclosure
- All blank adapter plates are painted ANSI 61 gray polyester powder
- All necessary mounting hardware and instructions are included

| BLANK ADAPTER PLATES | |
|----------------------|---|
| CATALOG NUMBER | TYPE OF OPERATOR ADAPTER |
| WA21BAP | Blank adapter for universal cutouts on pages F31, F35, F36, F37, F38, F39, F43 and F44. |
| WA22BAP | Blank adapter for enclosures on page F17 |
| WA3456BAP | Blank adapter for single door wall-mount enclosures on pages F3, F7 and F21. |